

# SELC Internal CMS Module

SECURE, PROVEN, TWO-WAY LIGHTING CONTROL FOR ANY DEPLOYMENT

**The SELC Internal CMS luminaire module with embedded Itron (formerly known as Silver Spring Networks) communications provides reliable, secure, two-way control and monitoring for outdoor lights. Control and visibility allow for longer-life luminaires, rapid repair, accurate energy monitoring and operations reporting. The Internal CMS module is a perfect choice where luminaire design or other considerations precludes external mounting CMS node.**

The SELC external and internal modules with integrated Itron communications together with the advanced Streetlight Vision CMS front end software provide the best-in-class solution for the efficient luminaire operation. The robust capabilities and use of open standards such as IPv6 allow the network to support additional smart city applications such as traffic-light control, electricity/gas/water metering, parking automation and other networked sensors for enhanced living.

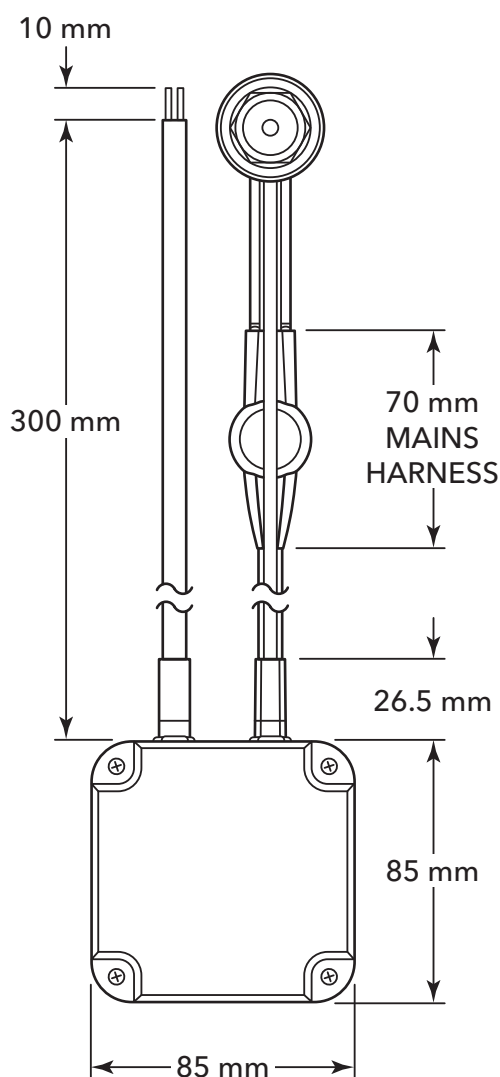
The Itron solution includes multi-layer security policy enforcement and monitoring with end-to-end encryption (WES-128/256) and access control to ensure protection of critical infrastructure and data. Deployment options include full product licensing or CMS as a service.

## Key benefits of the Internal CMS Module:

- Proven SELC quality and reliability with over 30 years of lighting control experience
- Proven Itron networking technology - Over 17 million connected devices
- Up to 65% energy savings when deployed in conjunction with LED lights
- Up to 40% operational savings when deployed in conjunction with LED lights
- Robust multilayer security with end-to-end encryption and full PKI (X.509) infrastructure
- Redundant, auto-healing, auto-configuring network using open standards such as IPv6 and IEEE 802.15.4g
- Over-the-air configuration and firmware upgrades
- Economic scalability from small pilots to metropolitan or country-wide deployments
- Energy metrology at 1% accuracy, with per day, per hour, or per minute records and robust utility billing integration
- Infrared Meter Calibration Interface



# SELC Internal CMS Module SECURE, PROVEN, TWO-WAY LIGHTING CONTROL



## Technical Specifications

Metering Accuracy	0.5% or 1% Energy Accuracy available as custom option. Standard Energy Accuracy: 2%
Metering Range	105 - 305VAC (50/60Hz): 8A RMS
Turn ON Light Level	16 or 35 Lux (1.5 or 3.25 fc), other levels available on request. Can also be set by schedule or function by schedule only with photocell removed option.
Housing Material	UV Stabilized Polycarbonate
Enclosure Sealing	IP65
Dimensions	85 mm L x 85 mm W x 61.5 mm H with 300 mm wiring harness; Weight 295g
Switch Ratio (OFF:ON)	Typically 1.5:1; or configurable to your requirements. OFF level may be set by schedule or function by schedule only with photocell removed option.
Guarantee	5 years* Extended Warranty Available
Rated Load	1800VA 3 x 400W
Maximum Load Current	10 Amps
Operating Temperature Range	-40°C to +70° C (-40°F to +158°F)
Circuit Power Consumption	<2Watts Avg Power @120 VAC
Manufacturing Standard	EN ISO 9001:2008
Photo Control designed to satisfy the following standards	Applicable parts of BS5972 EMC EN55015, EN61547, EN61000-3-2, EN61000-3-3, UL773A, CSA C22.2
Operating Voltage	105 - 305VAC (50/60Hz)
Compliance	RoHS, FCC, CE
Options for controlling LED driver	DALI or 0-10VDC. Field reconfigurable after install.
Ittron Networking Specification	Powerful 1-watt radio, Frequency-Hopping Spread Spectrum up to 300kb/s mesh networking Automatic data routing with self-configuration, auto-healing & redundant uplinks 1Pv6 transport Full application & link-layer security with full PKI, AES-128 and -256, and embedded firewall
MOV Protection	320J, 6kv/3kA standard. Option: 420J tested to exceed 10 surges at 20,000V / 10,000A

\*Guarantee subject to SELC Terms & Conditions. All specifications subject to change without notice.



[selc.ie](http://selc.ie)